

## Specification Sheet

# Series 3000 U.S. Version T-Line Single-Round Housings

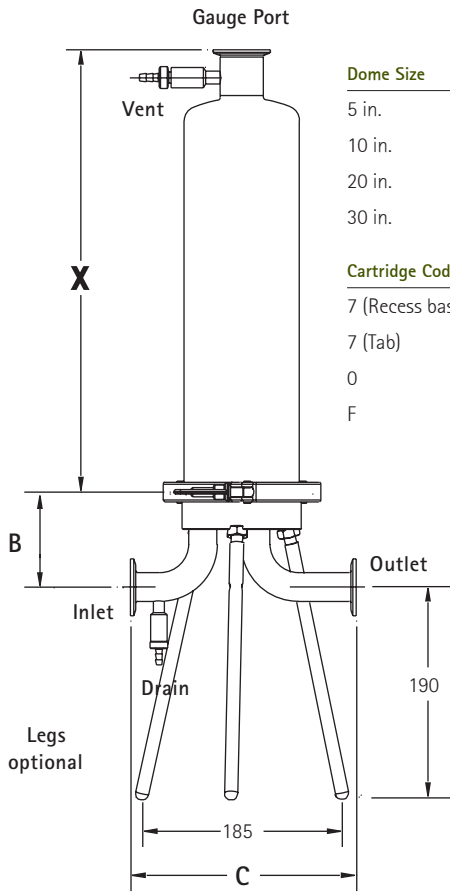


### Specifications

ASME® Compliance	Series 3000 housings are all designed and manufactured per ASME requirements. They also bear a CRN number for Canada (Ontario, Québec).
CFR Compliance	The sealing materials supplied comply with the Title 21 Code of Federal Regulations, section 177.2600 for rubber compounds or 177.1550 for fluorocarbon resin, 177.1520 for olefin polymers.
USP Class VI Compliance	All seal materials comply with USP <88> Biological Reactivity Tests for Class VI plastics.
Operating Conditions Range:	10 bar (145 psig) at 25 °C (77 °F) 7 bar (100 psig) at 60 °C (140 °F) 6 bar (87 psig) at 80 °C (176 °F) 3.2 bar (46 psig) at 145 °C (293 °F)
Materials of Construction (Wetted Parts) All metal surfaces in contact with the product: Plunger valve seal tip: Diaphragm valve membrane: Gasket and plunger valve seal: Optional gasket materials:	316L (DIN 1.4404) stainless steel (Code 0 spring is 316 stainless steel) PTFE EPDM Silicone EPDM, PTFE encapsulated fluoroelastomer
Surface Finish (Stainless Steel Wetted Parts) Electropolished (EP): Mechanical Polish (MP): Final Fill: ASME BPVC VIII div 1 stamped housings:	Ra ≤ 0.5 µm internal, Ra ≤ 0.8 µm external Ra ≤ 0.5 µm internal, Ra ≤ 0.8 µm external Electropolished Ra ≤ 0.4 µm internal, Ra ≤ 0.8 µm external Electropolished Ra ≤ 0.5 µm internal, Ra ≤ 0.8 µm external
Connections Gauge Port: Inlet/Outlet:	1½ in. Sanitary flange 1 in. Sanitary flange
Cartridge Code	Code 7, 0 and F
Clamp(s) Standard housings: ASME BPVC VIII div 1 stamped housings:	4 in. Sanitary flange, 3-piece 304 stainless steel clamp 4 in. Sanitary flange, 2-piece 304 bolted stainless steel clamp

# T-Line Housing Dimensions

## Base Options

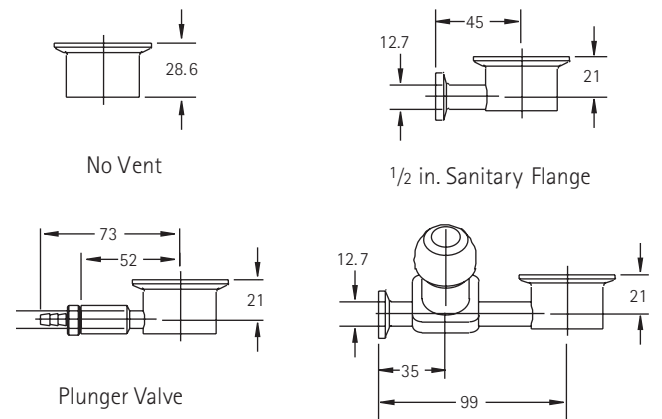


Dome Size	X (mm)
5 in.	239
10 in.	366
20 in.	620
30 in.	861

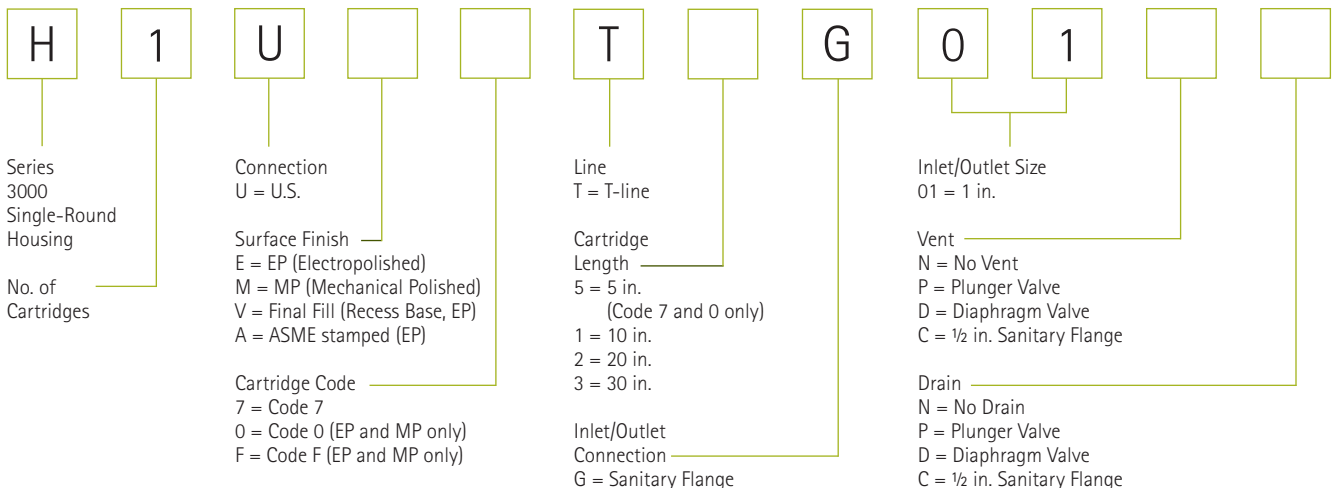
Cartridge Code	B (mm)	C (mm)
7 (Recess base)	83	202
7 (Tab)	83	200
0	83	202
F	64	200

T-Line Housing with Sanitary Flange Base Inlet and Outlet Connections

## Vent and Drain Options



## Catalogue No. Structure



## Ordering Information

### Accessories

Description	Qty/Pk	Catalogue No.
Legs (stand), 304 stainless steel	3	H1S31LEG3
Pressure gauge, Kpa + bar type (0–1,100 Kpa, 0–11 bar)	1	P90005
Pressure gauge, psi + bar type (0–160 psi, 0–11 bar)	1	P90001

### Spare Parts

#### Valves

Description	Qty/Pk	Catalogue No.
Plunger valve stem	2	H1PVSTEM2
Sanitary vent/drain valve seal kit with silicone O-rings and virgin PTFE sealing tips	10	HGPV50KIT
Sanitary vent/drain valve seal kit with fluoroelastomer O-rings and virgin PTFE sealing tips	10	HGPV0KIT
Sanitary vent/drain valve seal kit with EPDM O-rings and virgin PTFE sealing tips	10	HGPVEPKIT
Diaphragm for diaphragm valve	2	H1DVDEP02
Diaphragm valve kit (bolts and washers)	1 kit	H1DVBWKIT

#### Gaskets

Description	Size/Fits	Qty/Pk	Catalogue No.
Silicone dome to base gasket	4 in. Sanitary flange	10	HGTC400SP
EPDM dome to base gasket*	4 in. Sanitary flange	10	HGTC400EP
PTFE encapsulated fluoroelastomer*	4 in. Sanitary flange	10	HGTC400T0
Silicone	¾ in. Sanitary flange	10	HGTC075SP
	1 in. Sanitary flange	10	HGTC100SP
	1½ in. Sanitary flange	10	YY2004055
EPDM*	¾ in. Sanitary flange	10	HGTC075EP
	1 in. Sanitary flange	10	HGTC100EP
	1½ in. Sanitary flange	10	HGTC150EP
PTFE encapsulated fluoroelastomer*	¾ in. Sanitary flange	10	HGTC075T0
	1 in. Sanitary flange	10	HGTC100T0
	1½ in. Sanitary flange	10	HGTC150T0

#### End Caps

Description	Size/Fits	Qty/Pk	Catalogue No.
End cap, 316L stainless steel	¾ in./½ in.	2	HPLG00075IN2
	1 in./1½ in.	2	HPLG00150IN2

#### Clamps

Description	Size/Fits	Qty/Pk	Catalogue No.
Sanitary flange	¾ in.	2	HCLMP0075IN2
	1 in./1½ in.	2	HCLMP0150IN2
Sanitary flange, 2-piece bolted 304 stainless steel clamp for ASME compliant housings	4 in.	1	P35015
Sanitary flange, 3-piece 304 stainless steel clamp standard for non-ASME compliant housing	4 in.	1	P34303

\*Silicone is the standard material used with all Series 3000 housings. EPDM and a fluoroelastomer are optional and must be ordered separately.

## Literature for Series 3000 Single-Round Housings

### Data Sheet

Series 3000 Single-Round Housings	DS4112EN00
-----------------------------------	------------

### Specification Sheets

Version	Line Style	Literature No.
U.S. Version	T-line Housings	SP1002ENUS
	In-line Housings	SP1001ENUS
	C-line Housings	SP1000ENUS
European Version	T-line Housings	SP1020EN00
	In-line Housings	SP1040EN00
	C-line Housings	SP1030EN00
Japanese Version	T-line Housings	SP1050EN00
	In-line Housings	SP1060EN00
	C-line Housings	SP1070EN00

## To Place an Order or Receive Technical Assistance

In the U.S. and Canada, call toll-free **1-800-645-5476**

For other countries across Europe and the world,  
please visit [www.millipore.com/offices](http://www.millipore.com/offices)

For Technical Service, please visit  
[www.millipore.com/techservice](http://www.millipore.com/techservice)



[www.emdmillipore.com](http://www.emdmillipore.com)