

Series 2000™ Sanitary Millidisk™ Cartridge Housings

■ For clarification and sterile filtration applications

Certificate of Quality for this product provided in every box. See inside for details.



Series 2000 housings are designed to handle the most critical clarification and sterile filtration applications for pharmaceutical, biotechnology, food and beverage, and industrial processing applications. Typical applications include the sterile filtration of aqueous and solvent-based solutions, sterile tank venting, and sterile gas filtration.

Wide Range of Standard Products Available

The Series 2000 line of sanitary 316L stainless steel housings features T-line and in-line versions. Both come standard with sanitary vents and drains. In addition to the Millidisk version, the Series 2000 line offers Optiseal™ and Milligard® housings. For higher volume applications, a wide range of single and multi-tube housings are available in both standard and ASME code stamped versions.

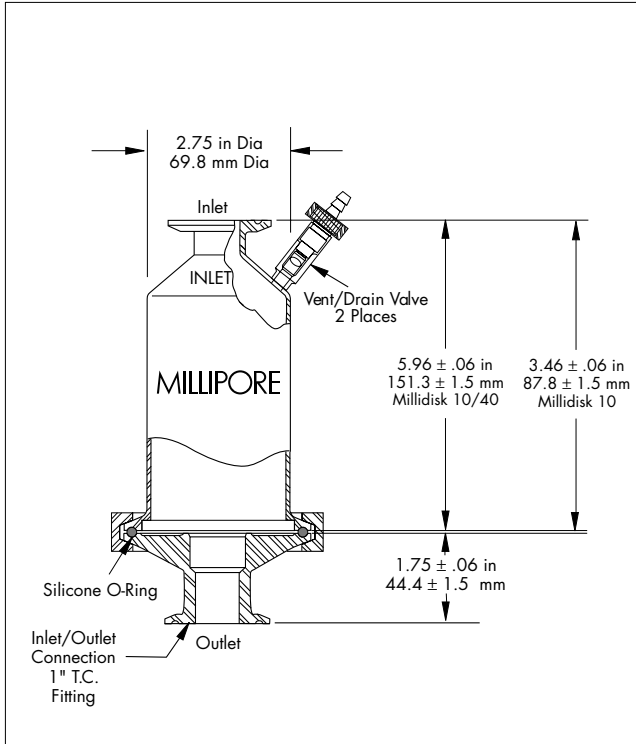
Sanitary Design Features

All fluid surfaces are 316L stainless steel electropolished to a high-quality, sanitary finish of < 20 Ra. The entire housing is passivated to enhance corrosion resistance. All process connections are sanitary TC-type, and all sealing materials are Title 21 CFR-compliant to meet FDA requirements for food and beverage processing. Vent and drain valve assemblies are designed without exposed NPT threads and feature EPDM insulation for both safety and ease of use.

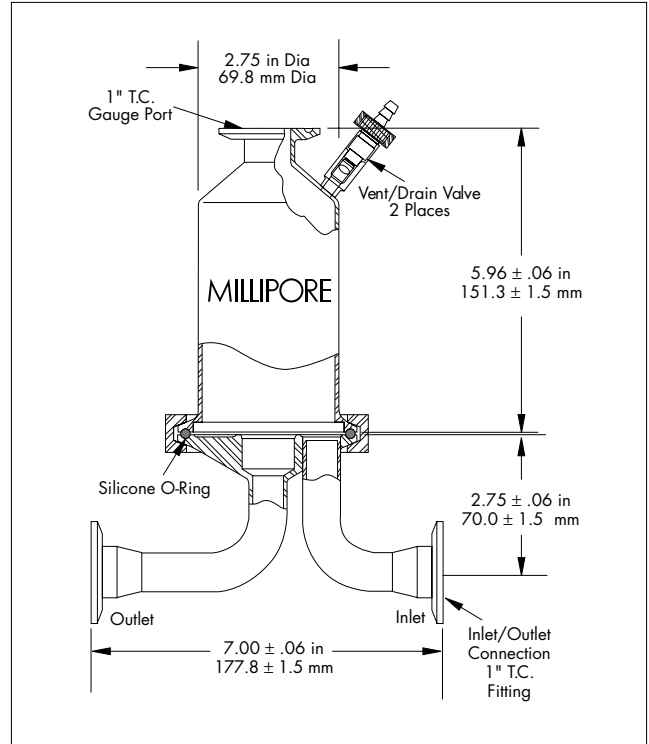
Certification to Quality Standards

Each housing is tested to ensure that it meets specifications to quality standards. To demonstrate Millipore's commitment to quality, each Series 2000 housing includes a Certificate of Quality certifying that the housing conforms to specifications for materials, surface finish, pressure rating and dimensions. Each certificate is lot number and catalogue number specific.

MILLIPORE

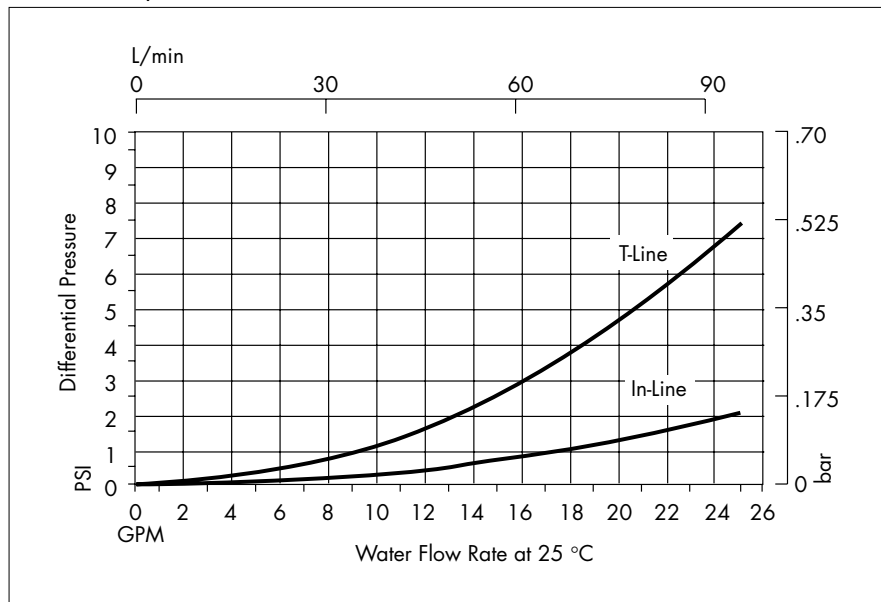


Series 2000 In-line housing for use with Millidisk cartridges



Series 2000 T-line housing for use with Millidisk cartridges

Pressure Drop vs Water Flow Rate @ 25 °C



Specifications

Materials of Construction:

<i>Housing</i>	316L stainless steel
<i>Clamp</i>	304 stainless steel
<i>Seal Materials</i>	Silicone O-rings; Teflon® vent sealing tip
<i>Vent Insulators</i>	EPDM

Maximum Operating Conditions

<i>Housing</i>	150 psig (10.5 kg/cm ²) at 300 °F (149 °C)
----------------	--

Surface Finish

<i>Wetted Surfaces</i>	Electropolished < 20 Ra. All welds are ground smooth.
<i>Exterior Surfaces</i>	Electropolished to a sanitary finish. The entire housing is passivated for maximum corrosion resistance.

Connections

<i>Inlet/Outlet</i>	1" TC sanitary flange
<i>Gauge Port</i>	1" TC sanitary flange
<i>Cartridge</i>	Code M (2-118 double O-ring)
<i>Dome to Base</i>	3" sanitary O-ring (2-337)

Sterilization Recommendations

Series 2000 housings may be in-line steam sterilized, autoclaved, or hot water sanitized. To assure sterility, Series 2000 Millidisk cartridge housings are qualified for an autoclave cycle of 126 °C for 30 minutes.

Ordering Information

Description	Catalogue No.	
Housings		
Millidisk T-line	HOMM MUS TC	
Millidisk In-line	HOMM MUS AC	
Millidisk 10 stack In-line	HOMI MUS AC	
Accessories		
3" TC clamp	P30799	
1 1/2" TC clamp	YY20 040 45	
Vent/Drain valve assembly	17402	
Sanitary pressure gauge 1 1/2" TC 0 – 7 bar (0 – 100 psi)	YY18 010 20	
O-rings (size 2-337)		
Silicone	10/pk	17390X4
Viton®	2/pk	17390X1
EPDM	10/pk	17390X2
PTFE/vit	2/pk	17390X3
1 1/2" TC gaskets		
Silicone	10/pk	HGTC 150 SP
Viton	10/pk	HGTC 150 VP
EPDM	10/pk	HGTC 150 EP
Teflon	10/pk	HGTC 150 TO
Vent/Drain valve seal kits		
Silicone	10/pk	17403X1
Viton	10/pk	17403X2
EPDM	10/pk	17403X3
Vent tips		
Teflon	10/pk	H4W TTO 00

To Place an Order or Receive Technical Assistance

For additional information call your nearest Millipore office.

In the U.S. and Canada, call toll-free 1-800-MILLIPORE (1-800-645-5476)

In the U.S., Canada and Puerto Rico, fax orders to 1-800-MILLIFX

(1-800-645-5439)

Internet: www.millipore.com

E-mail: tech_service@millipore.com

MILLIPORE

Millipore is a registered trademark of Millipore Corporation.

Millidisk, Milligard, Optiseal, and Series 2000 are trademarks of Millipore Corporation.

Teflon and Viton are registered trademarks of E.I. duPont de Nemours & Co., Inc.

Lit. No. PF076 Rev. 2 Printed in U.S.A. 8/01 01-187

© 2001 Millipore Corporation, Bedford, MA 01730 U.S.A. All rights reserved.

Millipore Worldwide

AUSTRALIA Tel. 1 800 222 111 or (02) 9888 8999 Fax (02) 9878 0788	Tel. (021) 883 666 Fax (021) 883 048
AUSTRIA Tel. (01) 877-8926 Fax (01) 877-1654	ITALY Vimodrone (Milano): Tel. (02) 25.07.81 Fax (02) 26.50.324 Roma: Tel. (06) 52.03.600 Fax (06) 52.95.735
BALTIC COUNTRIES Tel. +358 9 804 5110 Fax +358 9 256 5660	JAPAN Tel. (03) 5442-9711 Fax (03) 5442- 9736 Life Sciences 9737 BioPharm. 9734 Lab Water
BELGIUM AND LUXEMBOURG Tel. +32 2 726 88 40 Fax +32 2 726 98 84	KOREA Tel. (822) 551-0990 Fax (822) 551-0228
BRAZIL Tel. (011) 5548-7011 Fax (011) 5548-7923	MALAYSIA Tel. 603-757 1322 Fax 603-757 1711
CANADA Tel. 1-800-645-5476 Fax 1-800-645-5439	MEXICO Tel. (525) 576-9688 Fax (525) 576-8706
CHINA, PEOPLE'S REPUBLIC OF Beijing: Tel. (8610) 8519 1250 (8610) 6518 1058 Fax (8610) 8519 1255 Guangzhou: Tel. (8620) 8755 4049 Fax (8620) 8752 0172 Hong Kong: Tel. (852) 2803 9111 Fax (852) 2513 0313 Shanghai: Tel. (8621) 5306 9100 Fax (8621) 5306 0838	THE NETHERLANDS Tel. 076-5022000 Fax 076-5022436
CZECH REPUBLIC Tel. 02-2051 3841 Fax 02-2051 4298	NORWAY Tel. 22 67 82 53 Fax 22 66 04 60
DENMARK Tel. 70 10 00 23 Fax 70 10 13 14	POLAND Tel. 22-669 12 25 22-663 70 31 Fax 22-663 70 33
EASTERN EUROPE, C.I.S., AFRICA, MIDDLE EAST AND GULF Life Sciences Division: Tel. +33 3 88 38 9536 Fax +33 3 88 38 9539 BioPharmaceutical Division: Tel. +43 1 877-8926 Fax +43 1 877-1654 Laboratory Water Division: Tel. +33 1 30 12 7000 Fax +33 1 30 12 7180	PUERTO RICO Tel. (787) 273-8495 Fax (787) 747-6553
FINLAND Tel. (09) 804 5110 Fax (09) 256 5660	SINGAPORE Tel. (65) 842 1822 Fax (65) 842 4988
FRANCE Tel. 01 30 12 7000 Fax 01 30 12 7180	SPAIN AND PORTUGAL Tel. +34 917 283 960 Fax +34 917 292 909
GERMANY Tel. (06196) 494-0 Fax (06196) 43901	SWEDEN Tel. 08-628 6960 Fax 08-628 6457
HUNGARY Tel. 1-205 9784 Fax 1-205 9792	SWITZERLAND Volketswil: Tel. (01) 908-30-60 Fax (01) 908-30-80 Lausanne: Tel. (021) 641 2550 Fax (021) 641 2551
INDIA Tel. (91) 80-839 46 57 Fax (91) 80-839 63 45	TAIWAN Taipei: Tel. (886-2) 700-1742 Fax (886-2) 755-3267 Hsin Chu City: Tel. (886-3) 571-0178 Fax (886-3) 572-9520
IRELAND Life Sciences and Lab Water Division: Tel. +44 1923 816375 Fax +44 1923 818297 BioPharmaceutical Division:	U.K. Tel. 01923 816375 Fax 01923 818297
	U.S.A. Tel. (781) 533-6000 Fax (781) 533-3110
	IN ALL OTHER COUNTRIES Millipore Intertech (U.S.A.) Tel. +1 (781) 533-8622 Fax +1 (781) 533-8630