

Specification Sheet

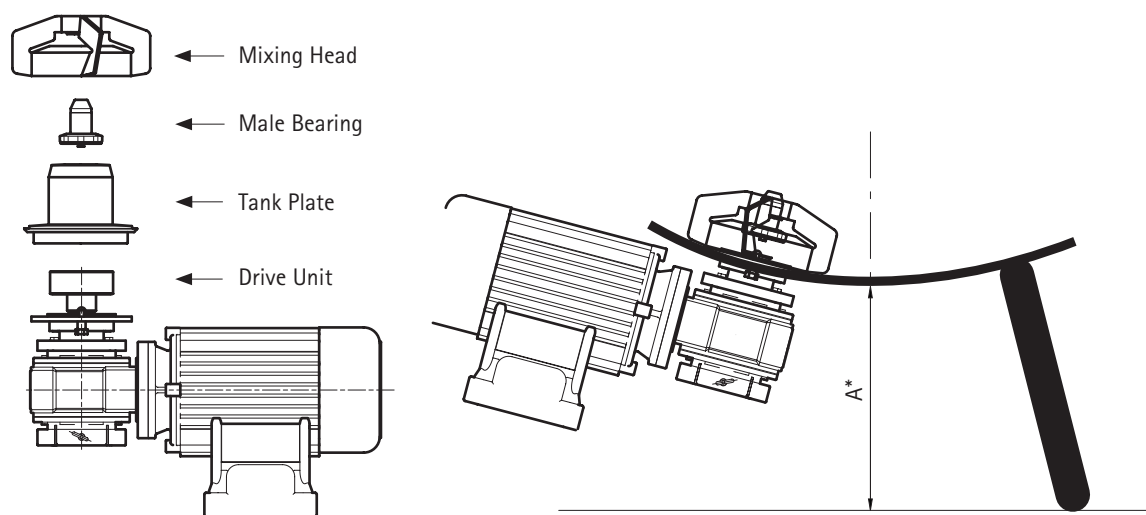
NovAseptic[®] Mixer, Mixer Assembly, GMP ATEX

Catalogue Number:

GMP-AX###-#####

Product Description

The NovAseptic mixers offer a complete solution for mixing throughout the process line and are designed for a wide variety of mixing applications in the pharmaceutical and biotechnology industries.



Catalogue No. Structure

GM - AX	###	#	#	#	#	#	#
Mixer Model	Size	Surface Treatment	Shaft Option	Gearbox Ratio	Speed Counter Option	Standard Motor Size	
		1 = Manually Polished 2 = Electro Polished	0 = 0 mm standard 1 = 60 mm extension 2 = 100 mm extension	1 = 7:1 2 = 10:1	2 = Drive Unit with Speed Counter		

*Note: Minimum distance to dismount the Drive Unit

Nominal Dimensions in mm (in.)

GMP ATEX Mixer Assembly	Mixing Head	Male Bearing	Drive Unit	A*	Mixer Model
GMP-AX05-10120	AX05/12	AX05/24	AX05/41-E0-055	250 (9.84)	GMP50 ATEX
GMP-AX05-11120	AX05/12	AX05/24	AX05/41-E1-056	310 (12.20)	GMP50 ATEX
GMP-AX05-20120	AX05/12EP	AX05/24EP	AX05/41-E0-055	250 (9.84)	GMP50 ATEX
GMP-AX05-21120	AX05/12EP	AX05/24EP	AX05/41-E1-056	310 (12.20)	GMP50 ATEX
GMP-AX1-10120	AX1/12	AX1/24	AX1/41-E0-057	250 (9.84)	GMP100 ATEX
GMP-AX1-11120	AX1/12	AX1/24	AX1/41-E1-058	310 (12.20)	GMP100 ATEX
GMP-AX1-12120	AX1/12	AX1/24	AX1/41-E2-059	350 (13.78)	GMP100 ATEX
GMP-AX1-20120	AX1/12EP	AX1/24EP	AX1/41-E0-057	250 (9.84)	GMP100 ATEX
GMP-AX1-21120	AX1/12EP	AX1/24EP	AX1/41-E1-058	310 (12.20)	GMP100 ATEX
GMP-AX1-22120	AX1/12EP	AX1/24EP	AX1/41-E2-059	350 (13.78)	GMP100 ATEX
GMP-AX5-10120	AX5/120	AX510/24	AX5/41-E0-060	260 (10.24)	GMP500 ATEX
GMP-AX5-11120	AX5/120	AX510/24	AX5/41-E1-061	320 (12.60)	GMP500 ATEX
GMP-AX5-12120	AX5/120	AX510/24	AX5/41-E2-062	360 (14.17)	GMP500 ATEX
GMP-AX5-20120	AX5/120EP	AX510/24EP	AX5/41-E0-060	260 (10.24)	GMP500 ATEX
GMP-AX5-21120	AX5/120EP	AX510/24EP	AX5/41-E1-061	320 (12.60)	GMP500 ATEX
GMP-AX5-22120	AX5/120EP	AX510/24EP	AX5/41-E2-062	360 (14.17)	GMP500 ATEX
GMP-AX10-10120	AX10/120	AX510/24	AX10/41-E0-063	280 (11.02)	GMP1000 ATEX
GMP-AX10-12120	AX10/120	AX510/24	AX10/41-E2-064	380 (14.96)	GMP1000 ATEX
GMP-AX10-20120	AX10/120EP	AX510/24EP	AX10/41-E0-063	280 (11.02)	GMP1000 ATEX
GMP-AX10-22120	AX10/120EP	AX510/24EP	AX10/41-E2-064	380 (14.96)	GMP1000 ATEX
GMP-AX20-10120	AX20/12	AX20/24	AX20/41-E0-065	320 (12.60)	GMP2000 ATEX
GMP-AX20-12120	AX20/12	AX20/24	AX20/41-E2-066	420 (16.54)	GMP2000 ATEX
GMP-AX20-20120	AX20/12EP	AX20/24EP	AX20/41-E0-065	320 (12.60)	GMP2000 ATEX
GMP-AX20-22120	AX20/12EP	AX20/24EP	AX20/41-E2-066	420 (16.54)	GMP2000 ATEX
GMP-AX50-10120	AX50/12	AX50200/24	AX50/41-E0-067	320 (12.60)	GMP5000 ATEX
GMP-AX50-12120	AX50/12	AX50200/24	AX50/41-E2-068	420 (16.54)	GMP5000 ATEX
GMP-AX50-20120	AX50/12EP	AX50200/24EP	AX50/41-E0-067	320 (12.60)	GMP5000 ATEX
GMP-AX50-22120	AX50/12EP	AX50200/24EP	AX50/41-E2-068	420 (16.54)	GMP5000 ATEX
GMP-AX100-10120	AX100/12	AX50200/24	AX100/41-E0-069	280 (11.02)	GMP10000 ATEX
GMP-AX100-12120	AX100/12	AX50200/24	AX100/41-E2-070	380 (14.96)	GMP10000 ATEX
GMP-AX100-20120	AX100/12EP	AX50200/24EP	AX100/41-E0-069	280 (11.02)	GMP10000 ATEX
GMP-AX100-22120	AX100/12EP	AX50200/24EP	AX100/41-E2-070	380 (14.96)	GMP10000 ATEX
GMP-AX200-10220	AX200/12	AX50200/24	AX200/41-E0-071	320 (12.60)	GMP20000 ATEX
GMP-AX200-12220	AX200/12	AX50200/24	AX200/41-E2-072	420 (16.54)	GMP20000 ATEX
GMP-AX200-20220	AX200/12EP	AX50200/24EP	AX200/41-E0-071	320 (12.60)	GMP20000 ATEX
GMP-AX200-22220	AX200/12EP	AX50200/24EP	AX200/41-E2-072	420 (16.54)	GMP20000 ATEX

*Note: Minimum distance to dismount the Drive Unit

Specifications

Net Weight (approximate)

ATEX Mixer Assembly	GMP50	GMP100	GMP500	GMP1000	GMP2000	GMP5000	GMP10000	GMP20000
Weight kg (lb)	19.0 (41.8)	19.5 (43.0)	20.0 (44.1)	27.5 (60.6)	35.0 (77.2)	37.5 (82.7)	48.0 (106)	57.0 (126)

Mixer Assembly Parts (included)

	GMP ATEX – Catalogue No.	Specification Sheet – Lit. No.
Mixing Head	AX###/12, AX###/12EP, AX##/120 or AX##/120EP	SP1182EN00
Male Bearing	AX#####/24 or AX#####/24EP	SP1183EN00
Drive Unit	AX###/41-E#-###	SP1185EN00


Mixer Assembly Parts (not included)

	GMP ATEX – Catalogue No.	Specification Sheet – Lit. No.
Tank Plate*	AX###/33	SP1184EN00

Mixer Accessory Parts (included)

	GMP ATEX – Catalogue No.	Specification Sheet – Lit. No.
Mixing Head Attractor	GT##/AW	SP1178EN00 SP1031EN00
Multi Tool for Mixing Head Et Male Bearing	GT##/25	SP1031EN00
Tightening Tool for Male Bearing	GT##/26	SP1032EN00
Welding Tool Tank Plate Heatsink	G94-###	SP1179EN00
NovAseptic® Gauge 1, for Tank Plate, Outer Driving Head Control*	G91-###	SP1199EN00
NovAseptic® Gauge 2, for Tank Plate, Mixing Head Control*	G92-###	SP1200EN00

Additional Information

Technical Data	 II 1/2 GD c T4 0 °C ≤ Ta ≤ +40 °C
Environment Temperature**	0 to 40 °C (32 to 104 °F)
Operating Temperature**	5 to 135 °C (41 to 275 °F)
Specification Sheet	Further information is available on the Specification Sheet of each NovAseptic® Mixer Assembly part.
Quality Control	Our Quality Assurance System guarantees the control and traceability at all stages of the manufacturing.

**Note: The assembled NovAseptic® Mixer may have different design temperature and/or pressure limits. The weakest part in the assembled product sets the final permitted design temperature and pressure limits.



www.emdmillipore.com

EMD Millipore and the M mark are trademarks of Merck KGaA, Darmstadt, Germany.
NovAseptic is a registered trademark of Merck KGaA, Darmstadt, Germany.
Specifications subject to change without notice.
Lit. No. SP1186EN00 Rev. A 01/2012 DP SBU-11-04737 Printed in the USA.
©2012 EMD Millipore Corporation, Billerica, MA, USA. All rights reserved.

To Place an Order or Receive Technical Assistance

In the U.S. and Canada, call toll-free [1-800-645-5476](tel:1-800-645-5476)

For other countries across Europe and the world,
please visit www.millipore.com/offices

For Technical Service, please visit
www.millipore.com/techservice